

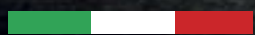
PIN



EFFICIENTLY SIMPLE

LOMBARDO




made in Italy

50
1969-2019

PIN

Il segnapasso PIN è la soluzione ideale per arricchire ambienti sia interni che esterni senza nessuna dispersione luminosa.

Il piccolo apparecchio è disponibile in due diverse versioni per adattare il fascio luminoso al contesto architettonico in cui viene installato.

Nella conformazione asimmetrica la lente dirige la luce verso terra in modo concentrato ed uniforme.

Tramite la versione diffusa si ottiene un'illuminazione tenue, non invadente ma sufficiente per evidenziare le aree di passaggio. Corpo in alluminio pressofuso, con diffusore in vetro temprato e serigrafato, elevata resistenza all'ossidazione grazie al trattamento di cataforesi.

The LED step light PIN is the best solution to enrich every setting, both outdoor and indoor without any light dispersion. This small product is available in two different versions in order to adapt its light beam to every architectural environment. In the asymmetric version the lens directs the light to the ground in a well-defined and uniform beam whereas the diffused light model creates a soft effect able to highlight every walkway.

Body made of EN – AB44100 die-cast aluminum, heat tempered and silk-screen printed glass diffuser and highly resistant to oxidation thanks to cathoresis treatment.

Le projecteur PIN est la solution idéale pour enrichir les espaces intérieurs et extérieurs sans dispersion de lumière. Le petit luminaire est disponible en deux versions différentes pour adapter le faisceau lumineux au contexte architectural dans lequel il est installé. Dans la version asymétrique, la lentille dirige la lumière vers le sol de manière concentrée et uniforme. La version diffuse fournit un éclairage doux, non intrusif mais suffisant pour mettre en valeur les zones de passage. Corps en aluminium moulé, avec diffuseur en verre trempé et sérigraphié, haute résistance à l'oxydation grâce au traitement de cataphorèse.

Pin, soluzione innovativa a LED. Dentro e fuori casa.

PIN, the innovative LED solution. Indoor & outdoor.

PIN, solution LED innovante. À l'intérieur et à l'extérieur de la maison.



Pin T



Pin T Asimmetrico



Pin Q



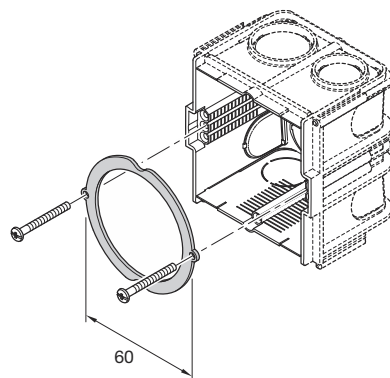
Pin Q Asimmetrico



- Corpo in alluminio pressofuso.
- Diffusore in vetro temprato e serigrafato.
- Led a tensione di rete.
- Predisposto per l'installazione su scatole standard 502.
- Dimmerabile a taglio di fase.
- Fornito con 0,20 m di cavo.

- Body made of die-cast aluminum.
- Heat tempered and silk-screen printed glass diffuser.
- Led ac direct.
- Suitable for installation on standard recess box 502.
- Dimmable phase cut.
- Provided with 0,20 m of cable.

- Corps en aluminium moulé.
- Diffuseur en verre trempé et sérigraphié.
- Led direct ac.
- Convient à une installation avec boîtes standard 502.
- Dimmable coupure de phase.
- Fourni avec 0,20 m de câble.



- Disponibile online download della dima per la ghiera di fissaggio
- Available online template for fixing retaining ring.
- Disponible online gabarit pour bague de fixation.

Pin

design: Michele Pellegrini

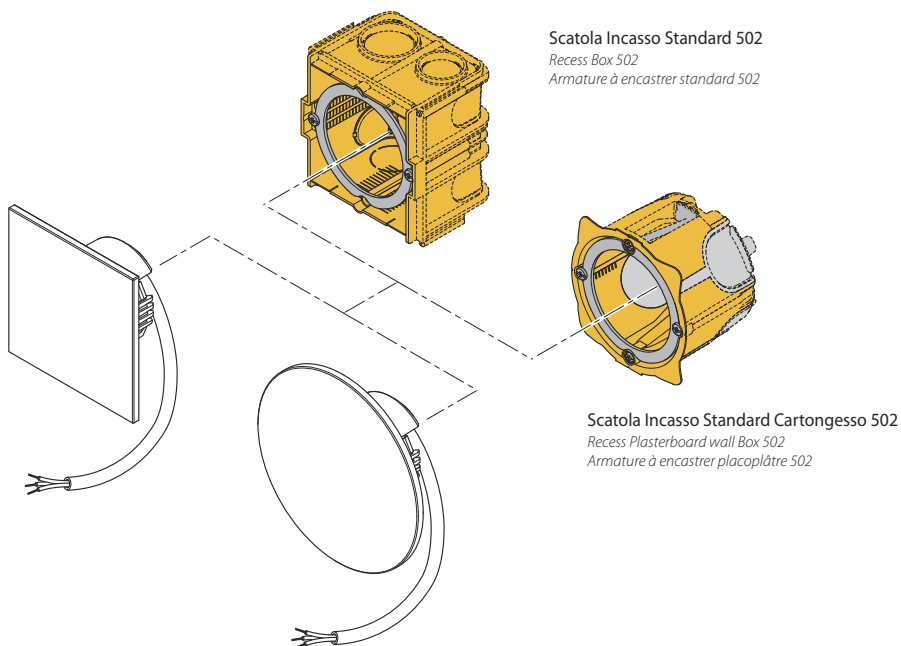
Adatto anche ad uso esterno.
Corpo in alluminio primario pressofuso EN-AB44100; elevata resistenza all'ossidazione grazie al trattamento di cataforesi.
Diffusore in vetro temprato e serigrafato.
Apparecchio inaccessibile fornito con 0.20 m di cavo di alimentazione H05RN-F pre-cablato e resinato.
LED a tensione di rete.
Dimmerabile a taglio di fase.
LED 4000K (N), 3000K (3) o 2700K (2). LED a tensione di rete. Nessun rischio fotobiologico, RG0 gruppo di rischio esente (EN62471).

*Suitable for indoor and outdoor use.
Body made of EN - AB44100 die-cast aluminum primary alloy; highly resistant to oxidation due to cathoresis treatment.
Heat tempered and silk-screen printed glass diffuser.
Inaccessible device, provided with 0.20 m of prewired power cable H05RN-F with epoxy resin treatment.
LED AC direct.
Dimmable Phase cut.
LED 4000K (N), 3000K (3) or 2700K (2). LED AC direct.
No risk of photobiological damage, RG0 group (EN62471).*

*Également adapté pour l'usage à l'extérieur.
Corps en aluminium primaire injecté EN-AB44100; haute résistance à l'oxydation grâce au traitement de cathorèse
Diffuseur en verre trempé et sérigraphié.
Appareil câblé en usine, fourni avec 0.20 m de câble d'alimentation H05RN-F-pré-câblé.
LED Direct 220-240.
Dimmable coupure de Phase.
LED 4000K (N), 3000K (3) ou 2700K (2) (blanche chaud). LED Direct 220-240. Pas de risque photobiologique, RG0 groupe (EN62471).*

Installazione su scatolette standard 502

Surface mounting on recess box 502 - En saillie sur boîte d'encastrement 502



Colori disponibili

Available colours - Couleurs disponibles



Pin

design: Michele Pellegrini

Pin T	LED	Specif.	Col.	Trasp.
IP 66 IK 07 2J xx5	LED 200 lm 2W real output lm 110	CL.I		LL125000 LL125001 LL125002 LL125003
 $\phi 100$ $\phi 77/8$	A+ A+ A+			led colour N = (4000K) 3 = (3000K, lm -5%) 2 = (2700K, lm -5%)

Pin T Asimmetrico	LED	Specif.	Col.	Trasp.
IP 66 IK 07 2J xx5	LED 200 lm 2W real output lm 160	CL.I		LL125004 LL125005 LL125006 LL125007
Deflettore in alluminio. Deflector made of aluminum. Réflecteur en aluminium.	A+ A+ A+			led colour N = (4000K) 3 = (3000K, lm -5%) 2 = (2700K, lm -5%)

Pin Q	LED	Specif.	Col.	Trasp.
IP 66 IK 07 2J xx5	LED 200 lm 2W real output lm 110	CL.I		LL125008 LL125009 LL125010 LL125011
 $\phi 100$ $\phi 77/8$ 78 3 1/8"	A+ A+ A+			led colour N = (4000K) 3 = (3000K, lm -5%) 2 = (2700K, lm -5%)

Pin Q Asimmetrico	LED	Specif.	Col.	Trasp.
IP 66 IK 07 2J xx5	LED 200 lm 2W real output lm 160	CL.I		LL125012 LL125013 LL125014 LL125015
Deflettore in alluminio. Deflector made of aluminum. Réflecteur en aluminium.	A+ A+ A+			led colour N = (4000K) 3 = (3000K, lm -5%) 2 = (2700K, lm -5%)





PIN T



PIN Q

Scatola incasso standard 502



(NEW)

Recess Box 502

Armature à encastrer standard 502

Cod.
LB1250001

= 1

Scatola incasso standard cartongesso 502



(NEW)

Recess Plasterboard wall Box 502

Armature à encastrer placoplâtre 502

Cod.
LB11693

= 1

Kit Pin

design: Michele Pellegrini

Kit-01/03: composto da Pin T/Q + Scatola standard 502.

Kit-02/04: Composto da Pin T/Q Asimmetrico + Scatola standard 502.

Adatto anche ad uso esterno. Deflettore in alluminio.

Corpo in alluminio primario pressofuso EN-AB44100; elevata resistenza all'ossidazione grazie al trattamento di cataforesi.

Diffusore in vetro temprato e serigrafato.

Apparecchio inaccessibile fornito con 0,20 m di cavo di alimentazione H05RN-F pre-cablato e resinato.

LED a tensione di rete.

Dimmerabile in taglio di fase.

LED 4000K (N), 3000K (3) o 2700K (2), LED a tensione di rete. Nessun rischio fotobiologico, RG0 gruppo di rischio esente (EN62471).

Kit-01/03: consisting of Pin T/Q + Recess Box 502. Suitable for indoor and outdoor use.

Kit-02/04: consisting of Pin T/Q Asimmetrico+ Recess Box 502.

Suitable for indoor and outdoor use. Deflector made of aluminum.

Body made of EN - AB44100 die-cast aluminum primary alloy; highly resistant to oxidization due to cathodoresis treatment.

Heat tempered and silk-screen printed glass diffuser. Inaccessible device, provided with 0.20 m of prewired power cable H05RN-F with epoxy resin treatment.

LED AC direct.

Dimmable phase cut.

LED 4000K (N), 3000K (3) or 2700K (2), LED, LED AC direct. No risk of photobiological damage, RG0 group (EN62471).

Kit-01/03: composé de Pin T/Q + boîte standard 502.

Kit-02/04: composé de Pin T/Q Asimmetrico + boîte standard 502.

Egalement adapté pour l'usage à l'extérieur. Réflecteur en aluminium.

Corps en aluminium primaire injecté EN-AB44100; haute résistance à l'oxydation grâce au traitement de cathodoresis.

Diffuseur en verre trempé et sérigraphié.

Appareil câblé en usine, fourni avec 0.20 m de câble d'alimentation H05RN-F-pré-câblé.

LED Direct 220-240.

Dimmable coupure de Phase.

LED 4000K (N), 3000K (3) ou 2700K (2) (blanche chaud). LED Direct 220-240. Pas de risque photobiologique, RG0 groupe (EN62471).



Kit 01 - Pin T



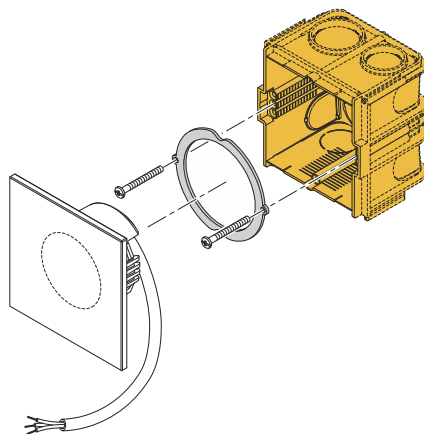
Kit 02 - Pin T Asimmetrico



Kit 03 - Pin Q



Kit 04 - Pin Q Asimmetrico



Kit 01 - Pin T



Specif.

Col.

Trasp.

NEW

IP 66 IK 07 2J xx5

LED
200 lm 2W
real output lm 110

CL.I

LL125100
LL125101
LL125102
LL125103

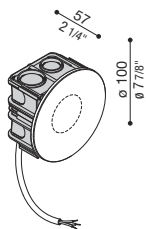
KIT composto da Pin T + LB1250001.

Kit consisting of Pin T + LB1250001.

Kit composé des Pin T + LB1250001.



= 1



led colour

N = (4000K)
3 = (3000K, lm -5%)
2 = (2700K, lm -5%)



Kit 02 - Pin T Asimmetrico



Specif.

Col.

Trasp.

NEW

IP 66 IK 07 2J xx5

LED
200 lm 2W
real output lm 160

CL.I

LL125104
LL125105
LL125106
LL125107

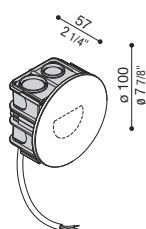
KIT composto da Pin T Asimmetrico + LB1250001.

Kit consisting of Pin T Asimmetrico + LB1250001.

Kit composé des Pin T Asimmetrico + LB1250001.



= 1



led colour

N = (4000K)
3 = (3000K, lm -5%)
2 = (2700K, lm -5%)



Kit 03 - Pin Q

IP 66 IK 07 2J xx5

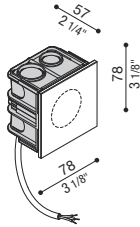
KIT composto da Pin Q + LB1250001.

Kit consisting of Pin Q + LB1250001.

Kit composé des Pin Q + LB1250001.



= 1



LED
200 lm 2W
real output lm 110

A+ A+ A+

Specif.

CL.I

Col.



Trasp.

LL125108
LL125109
LL125110
LL125111

led colour

N = (4000K)
3 = (3000K, lm -5%)
2 = (2700K, lm -5%)

(NEW)



Kit 04 - Pin Q Asimmetrico

IP 66 IK 07 2J xx5

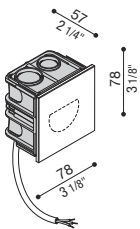
KIT composto da Pin Q Asimmetrico + LB1250001.

Kit consisting of Pin Q Asimmetrico + LB1250001.

Kit composé des Pin Q Asimmetrico + LB1250001.



= 1



LED
200 lm 2W
real output lm 160

A+ A+ A+

Specif.

CL.I

Col.



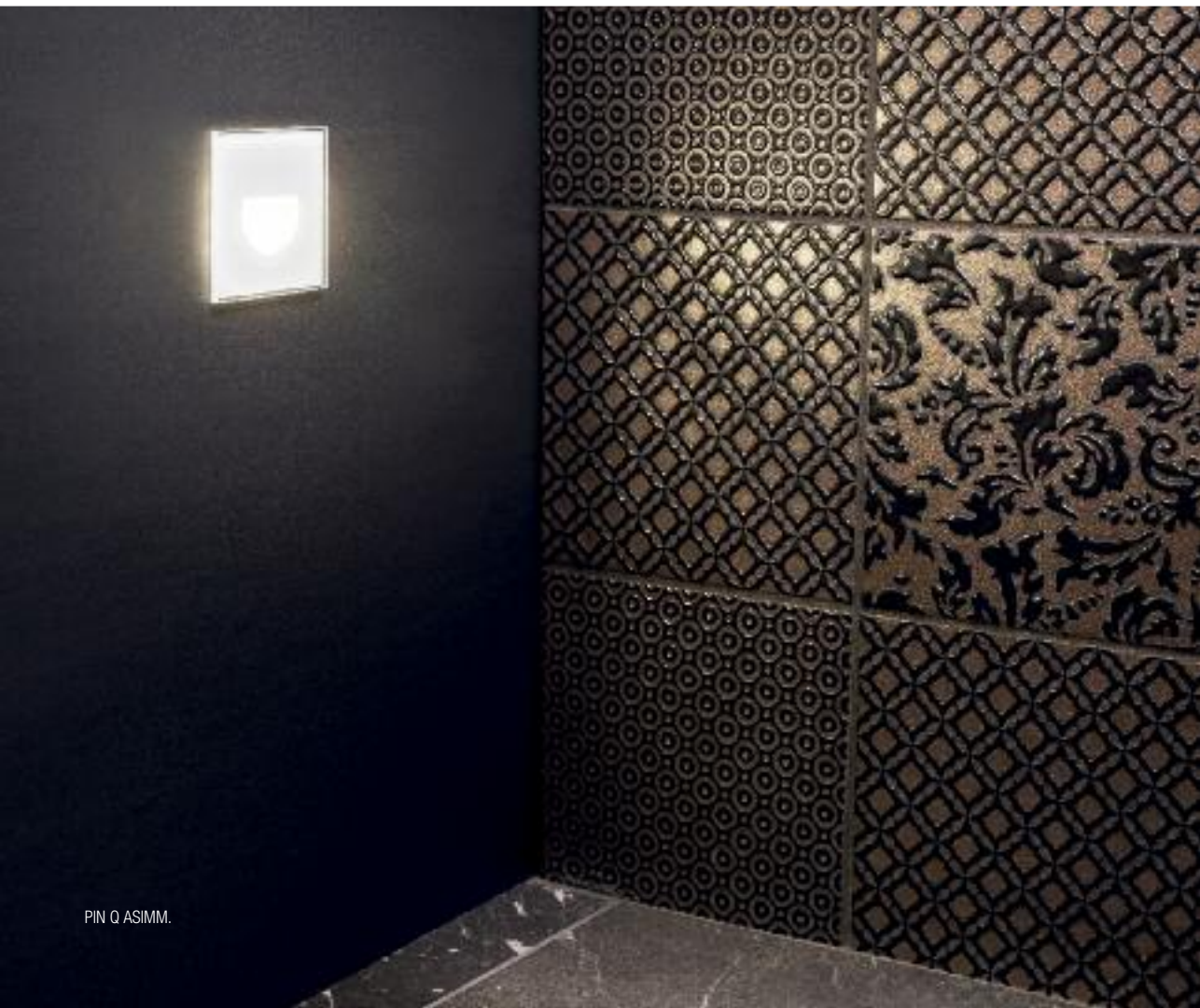
Trasp.

LL125112
LL125113
LL125114
LL125115

led colour

N = (4000K)
3 = (3000K, lm -5%)
2 = (2700K, lm -5%)

(NEW)





PIN Q ASIMM.

PIN

LOMBARDO




made in Italy

