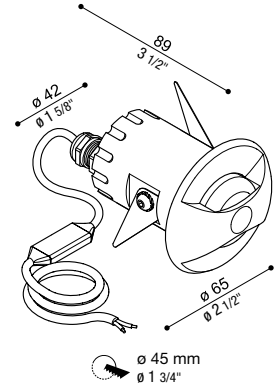


CNC 50 Top 2L

IP67 IK 10 20J xx9 CE UK RA 2000 AG MAX °C 65° MAX	LED		REAL LM	COL.	CODE *
	W	LM			
	6,5	650	453	500mA-14V	LL107020□
	6,5	650	453	24V	LL107021□

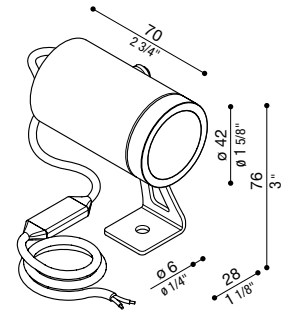


* Complete the CODE □ LED COLOUR N | 4000K 3 | 3000K 2 | 2700K

Versione ghiera con 2 aperture da 110°. | Version with Top retaining ring with two 110° openings. | Version avec virole Top 2 ouvertures à 110°.

CNC 50 Swing

IP67 IK 07 2J xx5 CE UK RA °C 65° MAX	LED		REAL LM	COL.	CODE *
	W	LM			
	6,5	650	Max 427	500mA-14V	LL107012□□
					LL107044□□
					LL107045□□
	6,5	650	Max 427	24V	LL107013□□
					LL107046□□
					LL107047□□

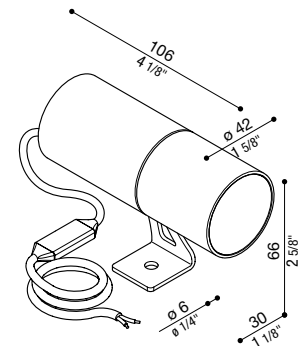


* Complete the CODE ○ OPTIC S | 13° M | 24° L | 53° D | Diff. □ LED COLOUR N | 4000K 3 | 3000K 2 | 2700K

Versione orientabile. Picchetto non incluso. | Swivel version. Stake not included. | Version orientable. Piquet non compris.

CNC 50 Swing Spot

IP67 IK 07 2J xx5 CE UK RA °C 65° MAX	LED		REAL LM	COL.	CODE *
	W	LM			
	6,5	650	Max 488	500mA-14V	LL107030□
	6,5	650	Max 488	24V	LL107031□



* Complete the CODE □ LED COLOUR N | 4000K 3 | 3000K 2 | 2700K

Versione orientabile antiabbagliamento. Picchetto non incluso. | Adjustable anti-glare version. Stake not included. | Version orientable antiéblouissement. Piquet non compris.